

Cleaning

To maintain the surface finish of your product, wipe clean regularly, using a clean damp cloth and dry cloth to polish. Do not use abrasive cleaning agents or materials on the product surface as you may invalidate your guarantee. Should any harsh chemicals come into contact with the surface of the product during bathroom cleaning, rinse off immediately, wipe clean and dry.

Troubleshooting

Dripping tap : Check leaking issue, remove and clean the cartridge, then replace it if needed.

Diverter not diverting: Remove the diverter, check and clean, then replace it if needed. Could it be insufficient pressure, so pressure needs to be checked.

Poor flow: May be due to a blockage, so the water supply pipes need to be checked for blockages and or kinks.

Have the isolation valves been opened fully.

No flow: May be due to a blockage, so the water supply pipes need to be checked for blockages and or kinks.

Have the isolation valves been opened fully

Mixer moving when installed: check bottom fixing is fully secured

USER MANUAL



Thank you for choosing Better Bathrooms.
Please read this manual before installing your product and keep for future reference.

better
bathrooms

Product name Floor Standing Bath Shower Mixer

Product Code: BeBa_27764 BeBa_26718

BeBa_26712 BeBa_26703

WAVEBBFS QUADMBFS2

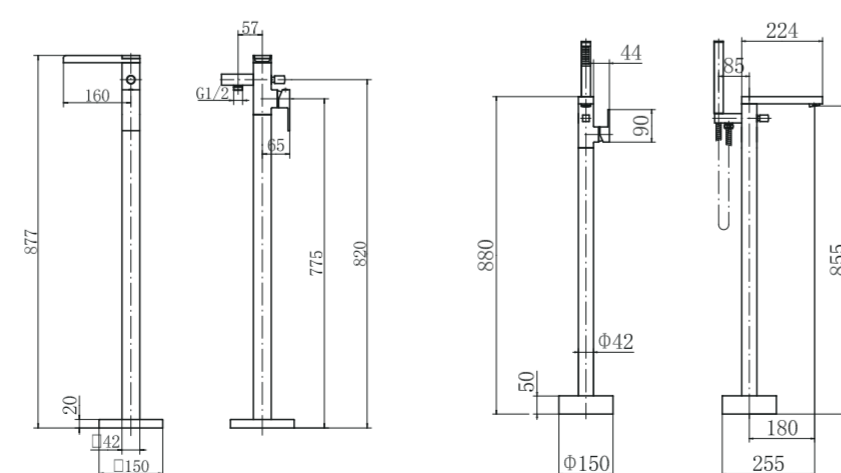
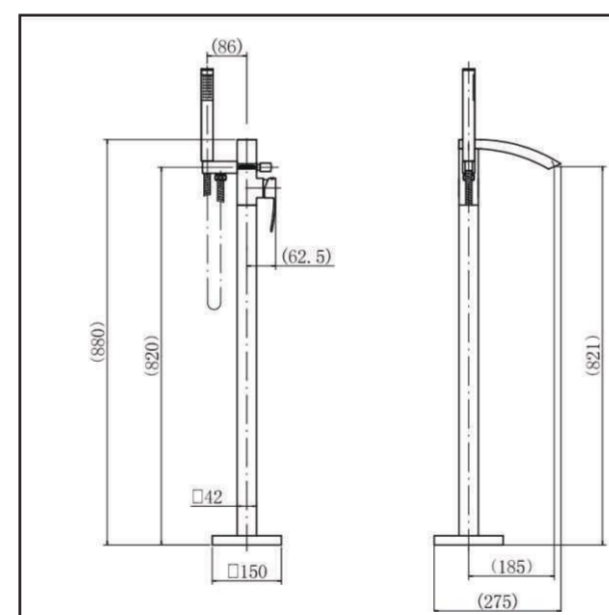


- Single person assembly
- Tools required
- We always recommend using professional tradespeople to install your product

V3 15.07.25

Contents

Dimension Drawings



For more information

- visit betterbathrooms.com
- email customerservices@buyitdirect.co.uk
- call 0330 390 3062
- write to Trident Business Park, Neptune Way, Huddersfield, HD2 1UA

better
bathrooms

Part of the BuyItDirect Group

5. Locate the assembly on the desired location with the flexible tails through the prepared hole and whilst holding the flange, secure the standpipe

Note: If mounting into wooden floor, secure standpipe using screws only (wall plugs are not required). If mounting into solid floor, drill suitable sized holes for wall plugs first, then insert wall plugs in floor and finally secure the standpipe using screws. Where required ensure correct plugs for your floor type are used.

6. Connect the flexible tails to water supply.

HAND SHOWER INSTALLATION

Insert a washer into each end of the shower hose and then screw it into the shower and mixer.

Note: Pull out the diverter to operate the hand shower.

Congratulations on your purchase

And welcome to our growing gang of savvy shoppers

We're on a mission to bring you extraordinary bathroom products, for less. From modern to traditional style ceramics, plus the gorgeous fixtures, fittings and furniture to match. So, you can fall in love with your space every single day.

As one of the UK's largest independent bathroom stores, we've received countless awards; including the National Business Awards UK, the Digital Entrepreneur Awards and being placed on The Sunday Times Fast Track 100.

We hope your new product goes above and beyond your expectations. However, should any problems occur, please:

- log in to your account and contact our customer services team via your self-serve portal – betterbathrooms.com/CustomerAccount/Login
- contact us via betterbathrooms.com/content/contact-us

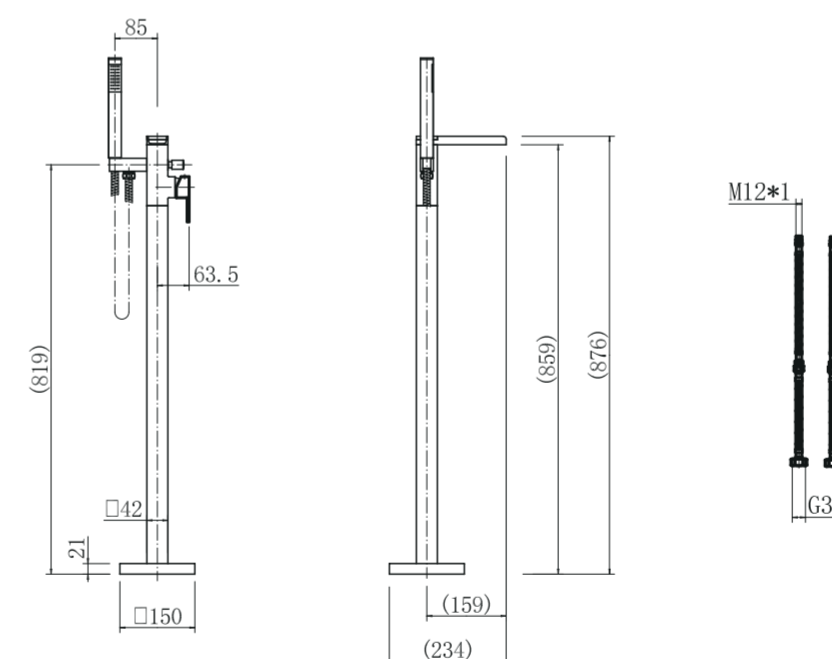
Important information

- Please read these instructions thoroughly and retain for future reference
- Pressures should meet minimum stated on the website
- Pressures must be balanced for optimum performance
- Always check for pipes and cables before drilling
- System must be flushed through prior to installation

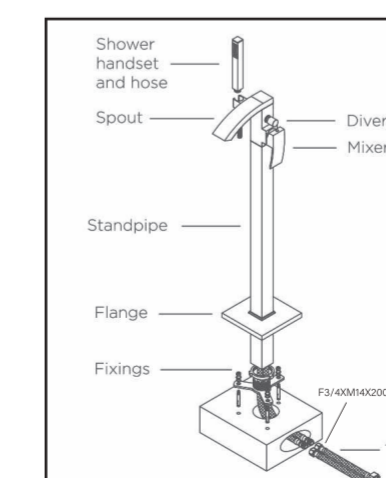
FLOW RATE

Min/Bar	0.5 bar	1bar	2bar	3bar
BeBa-27764	8.3L	11.2L	16.3L	20L
BeBa-26718	5.5L	7.8L	10.9L	13.4L
BeBa-26712	8.3L	11.2L	16.3L	20L
BeBa-26703	5L	7.1L	10.3L	12.9L
WAVEBBFS	8.3L	11.2L	16.3L	20L
QUADMBFS2	4.4L	6.1L	8.6L	11.4L

2



Parts / Diagrams



Tools required

Spanner
Screwdriver
Allen Key
Drill and Hammer
Screws and plugs supplied are for masonry only, for any other structure a suitable plug and screw must be used

Installation

Please note: Before starting the installation of a new mixer, turn off the water supply

Please note: HOT supply to the left and COLD supply to the right

Please ensure to flush the system prior to installation and "Always check for pipes and cables before any drilling is carried out."

The water supply should be turned on after installation and the assembly checked for leaks*

1. At desired location drill a hole in the floor (min diameter: 57mm, max diameter 65mm)
2. Place flange over the standpipe and then place it to the cover plate
3. The installer need to fit the threaded ring and fixing bracket to the stand pipe
4. The installer needs to connect the small tails to the tails connected to the mixer

6

3

4

5